

ADROIT DOWNDRAFT TABLE (ADT SERIES)



SIMPLE, EFFICIENT PORTABLE WORKING TABLE WITH EXTRACTION

OUTLINE

The ADT Series is an Manual Shaking Envelope Bag Filter Dust Collector complete with work station.

It would suitable for application like parts reworks, sand blasting, mixing, arch spraying, metalizing and etc.

Machines come complete with:

- * Castor Wheel
- * Control Panel
- * Dust Tray

Optional Parts:

- * Pre-filter / Spark Arrestor
- * Motorized Shaker
- * HEPA Filter
- * Differential Pressure Gauge

Cautions:

- * DO NOT EXTRACT MOISTURE, OIL MIST, OR SPARK,
- * GROUNDING REQUIRED FOR PREVENTION OF ELECTRICAL SHOCK



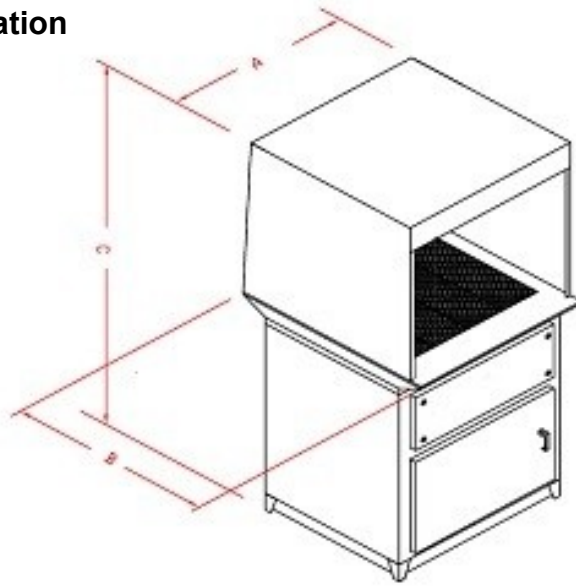
Housing

Welded, oil-proof, inside and outside epoxy powder coated. Made from 2mm mild steel sheets. Dirty air inlet from varies direction. Access door to filter compartment side of unit with lift and turn. Clean air outlet on back or top.

Powder coated color code: RAL5021
(or to customer's spec. against extra charge)



General Technical Information



Specification

Model	Motor (kW)	Airflow (m ³ /min)	Static Pres- sure (mmH ₂ O)	Filter Material	Dimension (mm)			Power	Dust Tray Capacity (L)	Weight (kg)
					A	B	C			
ADT-30	1.5	30	150	Polyester Needlefelt	730	920	1320	415V / 3 ph / 50 Hz	27	120
ADT-65	1.5 x 2 nos	65			1500	730	1470		54	350
ADT-85	2.5 x 2 nos	85			2240	850	1500		76	450

Electrical Ventilator Unit

- * (IEC standards)
- * Direct driven blower fan with IP55 EFF2 standard motor,
- * 415volts/3phase/50Hz
- * Connection cable 3m length.

Filter Elements

Option 1:

Material: Polyester Needlefelt

Weight: 0.61mm

Continues Operating Temperature: ≤130°C (Dry Heat)

Option 2:

Material: Polyester Spun Bond

Material Thickness: 0.61mm

Filter Rating: 99% efficiency rating for particles 2– 5 µm.

Filter

Multi Vee Envelope type filter bag or Cartridge filter.

(Surface finishing available such as Water Repellent, Anti-Static, PTFE Membrane, etc)

Choice of surface finishing subjected to customer application and type of dust extracted.

Contact Us:

ADROIT

ADROIT TECHNOLOGY SDN BHD (1031190-D)

2-1B, JALAN BANDAR LAPAN,

PUSAT BANDAR PUCHONG,

47100, PUCHONG, SELANGOR.

Tel: +603 – 5891 0278 Fax: +603 – 5891 1178

Sales Care line : +6019 – 4734840 (Mr. Eric Teoh)

Website : www.adroitmy.com

Email : inquiry@adroitmy.com

DESIGN, MANUFACTURE, INSTALL & SERVICE...