

### ADROIT Portable Dust & Fume Collector (APDC SERIES)

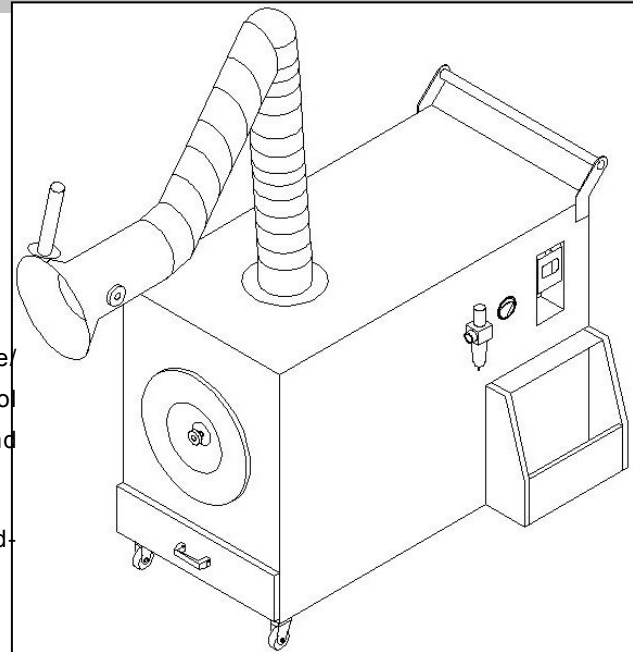


### SIMPLE, EFFICIENT PORTABLE DUST & FUME COLLECTOR

#### OUTLINE

The APDC Series is an Auto Reverse Jet Pulse Cartridge Filter Type Fume/Dust Collector Unit. This designed provided efficient welding fume control for high removal efficiency up to 95% @ 0.3µm particle. Cleanable filter and simple maintenance is another advantage.

The APDC type would suitable for various welding application like MIG welding, TIG welding, electrode welding and etc.



#### Machines come complete with:

- \* Ø160mmx2m Flexible Extraction Arm
- \* D.O.L. Magnetic Starter
- \* Differential Pressure Gauge
- \* Air Filter Regulator
- \* Pulsing Valve & Sequential Timer Card
- \* Dust Tray
- \* Utility Box

#### Housing

Welded, oil-proof, inside and outside epoxy powder coated. Made from 2mm mild steel sheets. Dirty air inlet from top direction. Access door to fan compartment at rear side of unit with lift and turn compression latch. Clean air outlet on unit back.

Powder coated color code: RAL5021

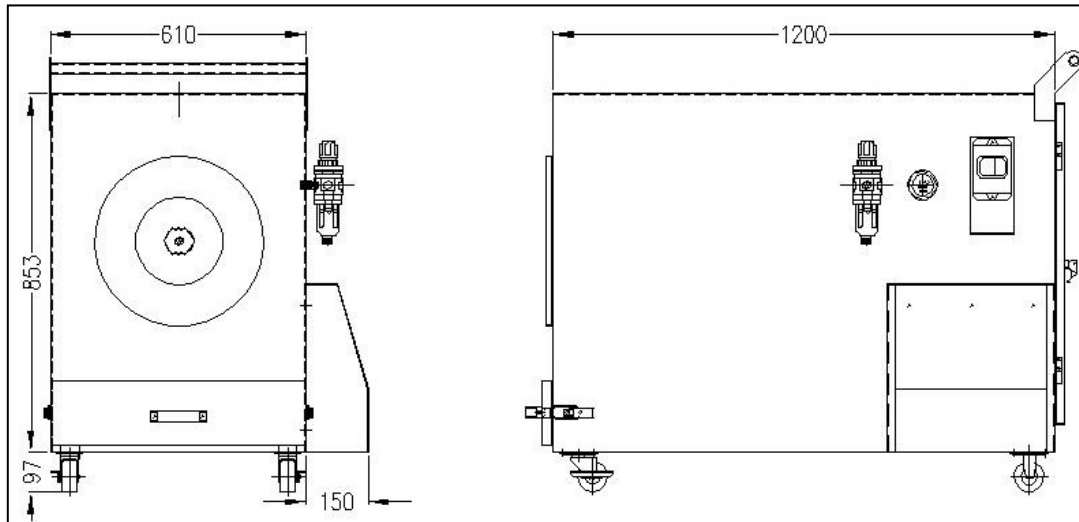
(or to customer's spec. against extra charge)

#### Optional Parts:

- \* Activated Carbon Absorber for Odor Control



## General Technical Information



## Specification

| Model   | Motor (kW) | Airflow (CFM) | Filter   | Static Pressure (mmH2O) | Weight (Kg) |
|---------|------------|---------------|--|-------------------------|-------------|
| APDC-30 | 1.5        | 1,000         | 1. Cartridge Filter<br>2. AC Filter (Optional) | 150                     | 100         |

### Electrical Ventilator Unit

- \* (IEC standards)
- \* Direct driven blower fan with IP55 EFF2 standard motor,
- \* 415volts/3phase/50Hz
- \* Connection cable 3m length.

### Filter

Filter Cartridge.

(Surface finishing available such as Water Repellent, Anti-Static, PTFE Membrane, etc)

Choice of surface finishing subjected to customer application and type

### Filter Elements

Material: Polyester Spun Bond

Material Thickness: 0.61mm

Filter Rating: 95% efficiency rating for particles 0.3µm

Surface Finishing: PTFE Membrane.

Continues Operating Temperature:  $\leq 130^{\circ}\text{C}$  (Dry Heat)

## Contact Us:

# ADROIT

**ADROIT TECHNOLOGY SDN BHD (1031190-D)**

2-1B, JALAN BANDAR LAPAN,

PUSAT BANDAR PUCHONG,

47100, PUCHONG, SELANGOR.

Tel: +603 – 5891 0278 Fax: +603 – 5891 1178

Sales Care line : +6019 – 4734840 (Mr. Eric Teoh)

Website : [www.adroitmy.com](http://www.adroitmy.com)

Email : [inquiry@adroitmy.com](mailto:inquiry@adroitmy.com)

**DESIGN, MANUFACTURE, INSTALL & SERVICE...**